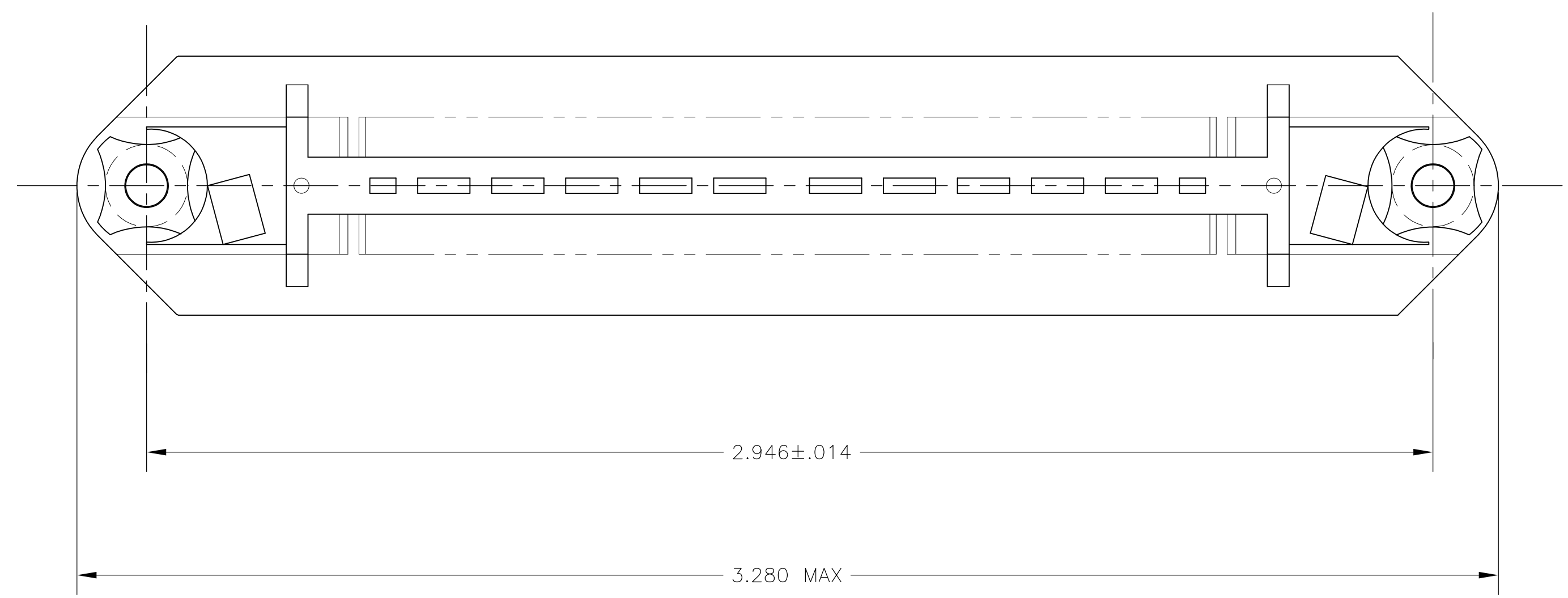
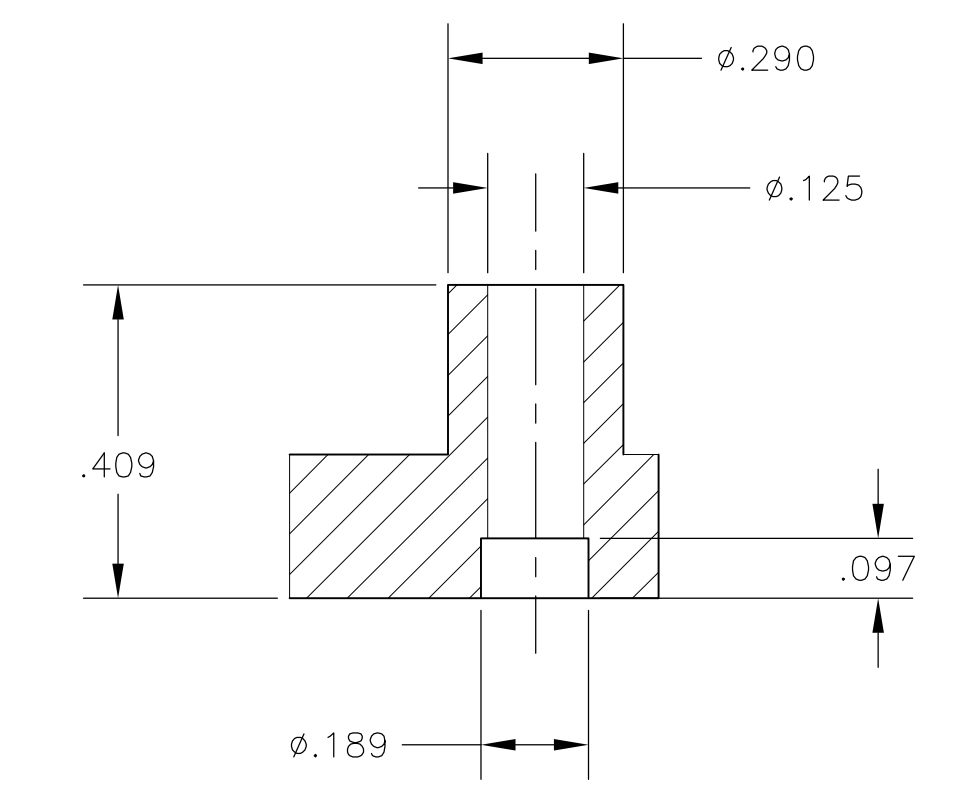
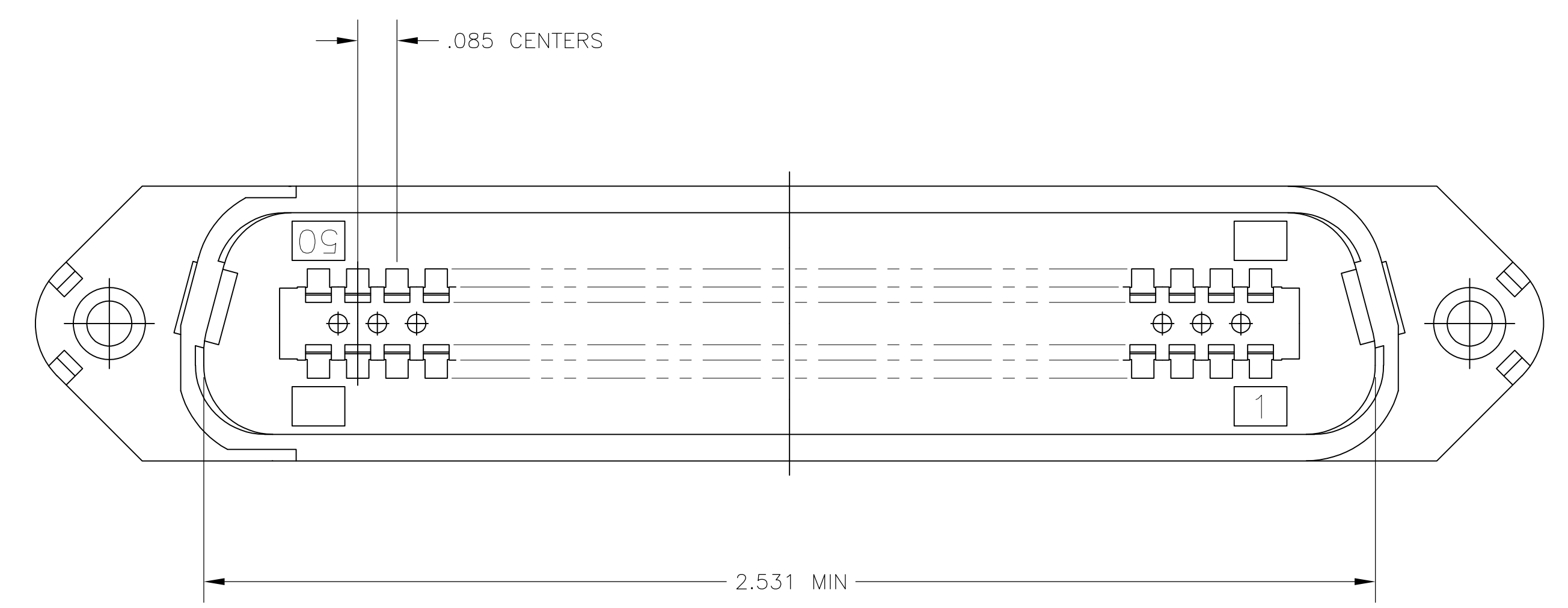
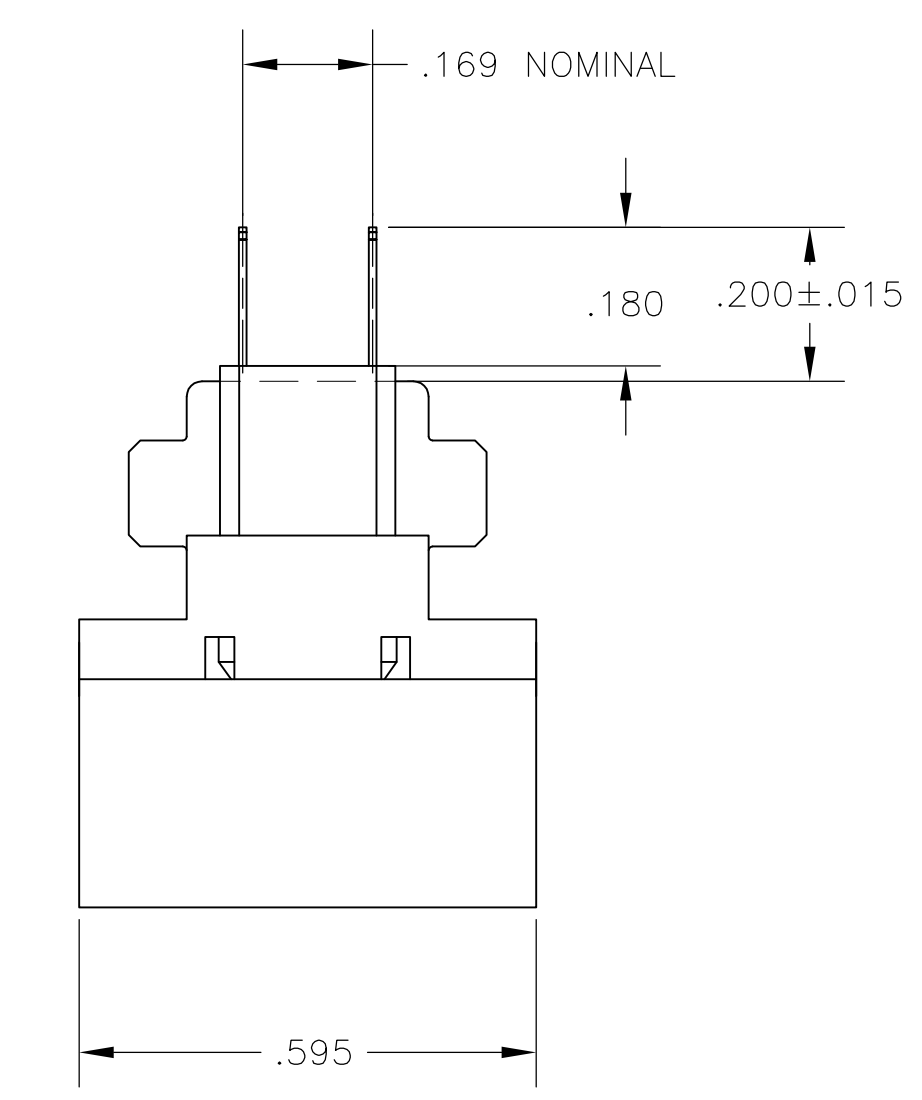
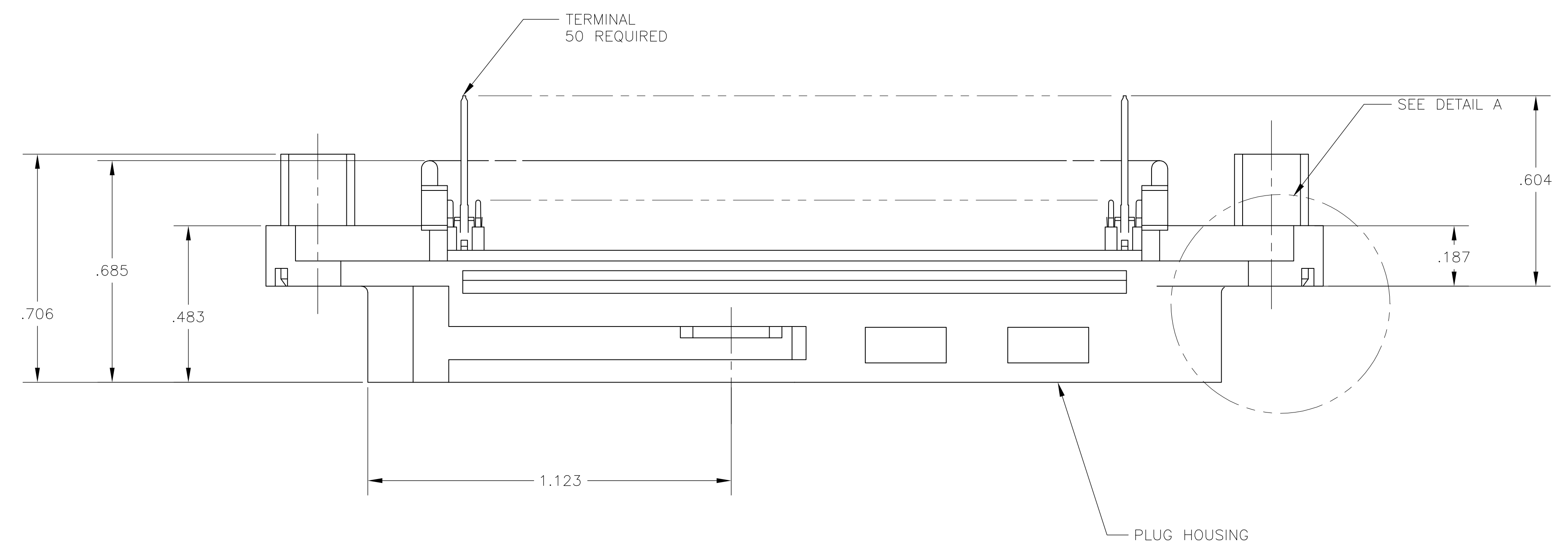


LOC		DIST		REVISIONS			
P	LTR	DESCRIPTION	DATE	DMN	APVD		
N		REVISED PER ECO-08-007327	18APR08	BM	WM		



1. THE CONTACT SURFACES OF THE TERMINALS ARE COATED WITH LUBRICANT.
2. MATERIAL: HOUSING - POLYESTER, BLACK.
TERMINAL - PHOS BRONZE PLATED WITH EITHER .000030 MINIMUM GOLD PLATE OR GOLD FLASH OVER PALLADIUM NICKEL PLATE, .000030 MIN TOTAL ON MATING SURFACE.
.000120 MINIMUM TIN-LEAD PLATE ON TAILS OVER .000050 MINIMUM NICKEL UNDERPLATE OVER ENTIRE TERMINAL.
3. ALL DIMENSIONS SHOWN ARE FOR REFERENCE ONLY, UNLESS OTHERWISE SPECIFIED.



DETAIL A

552116-1
PART NUMBER

THIS DRAWING IS A CONTROLLED DOCUMENT.		DIN ZACH REAM 9/MAR/07		Tyco Electronics Corporation Harrisburg, PA 17105-3608	
DIMENSIONS: INCHES		TOLERANCES UNLESS OTHERWISE SPECIFIED:		NAME: PLUG ASSY, 50 POSN, VERT MTG, CHAMP-LOK	
0 PLC ± -		1 PLC ± -		SIZE: A1	
1 PLC ± -		2 PLC ± -		CAGE CODE: 00779	
2 PLC ± -		3 PLC ± -		DRAWING NO: 552116	
3 PLC ± -		4 PLC ± -		RESTRICTED TO: -	
4 PLC ± -		ANGLES ± -		WEIGHT: -	
MATERIAL: 2/4		FINISH: 2		CUSTOMER DRAWING	
				SCALE: 4:1 SHEET 1 OF 1 REV N	